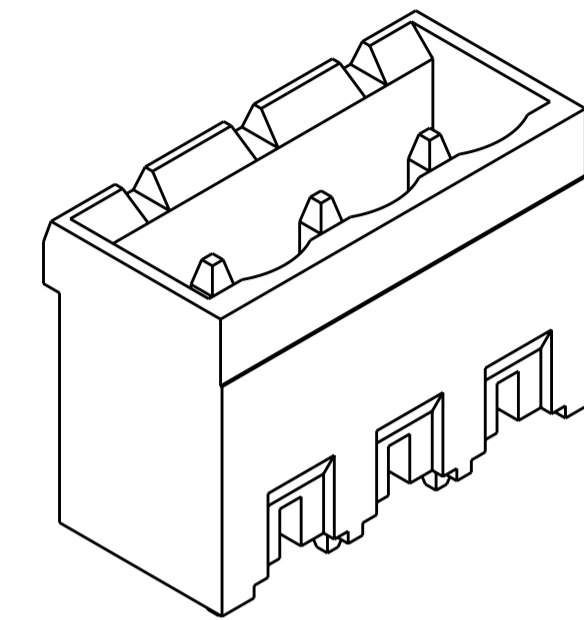
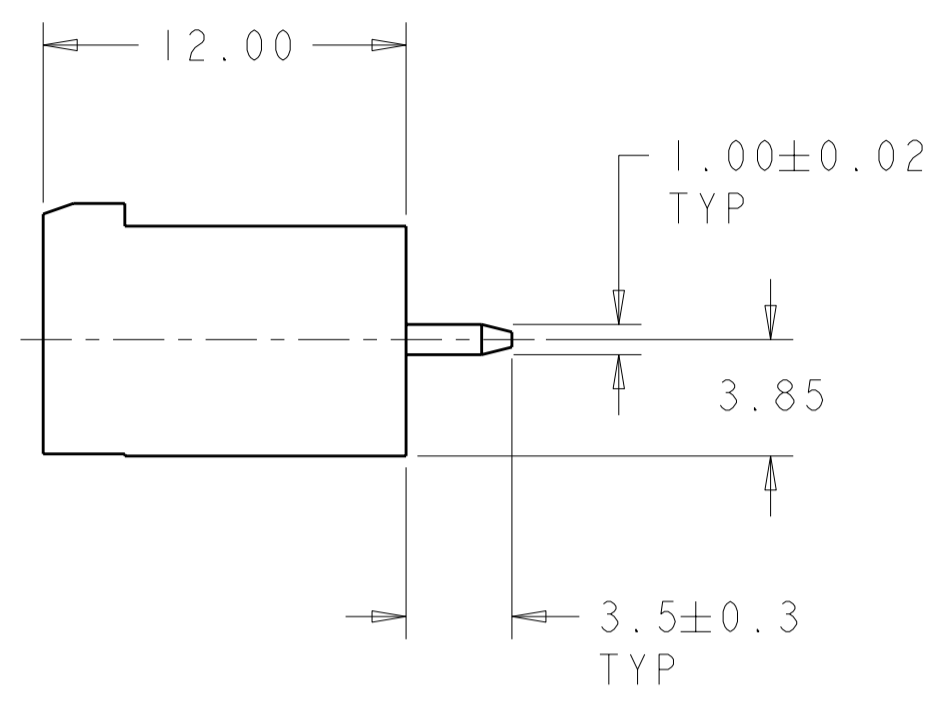
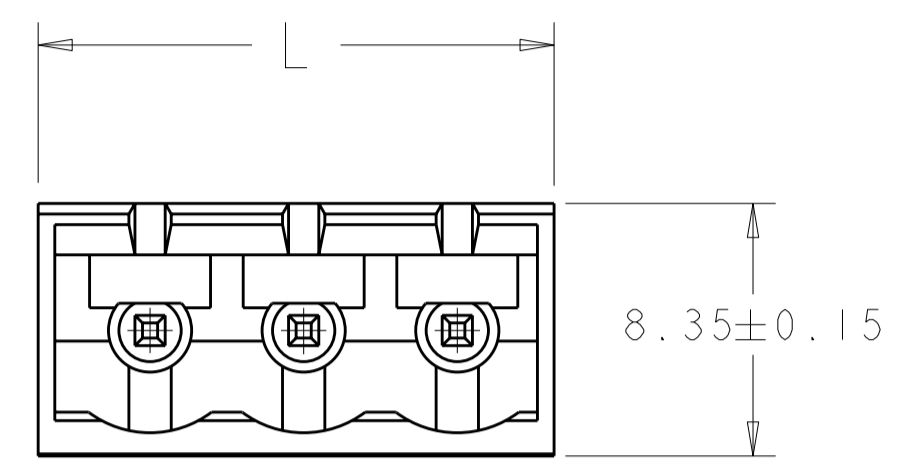


THIS DRAWING IS UNPUBLISHED. RELEASED FOR PUBLICATION 20
 © COPYRIGHT 20 ALL RIGHTS RESERVED.

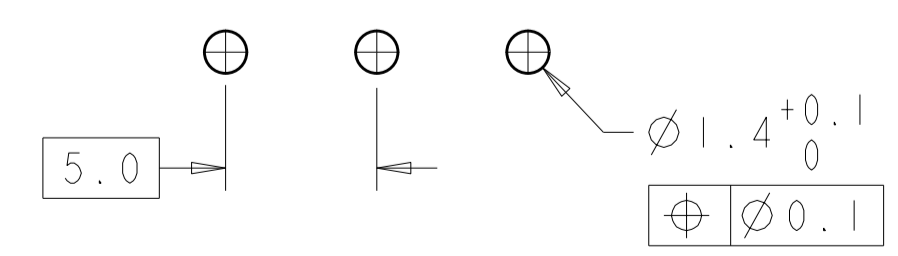
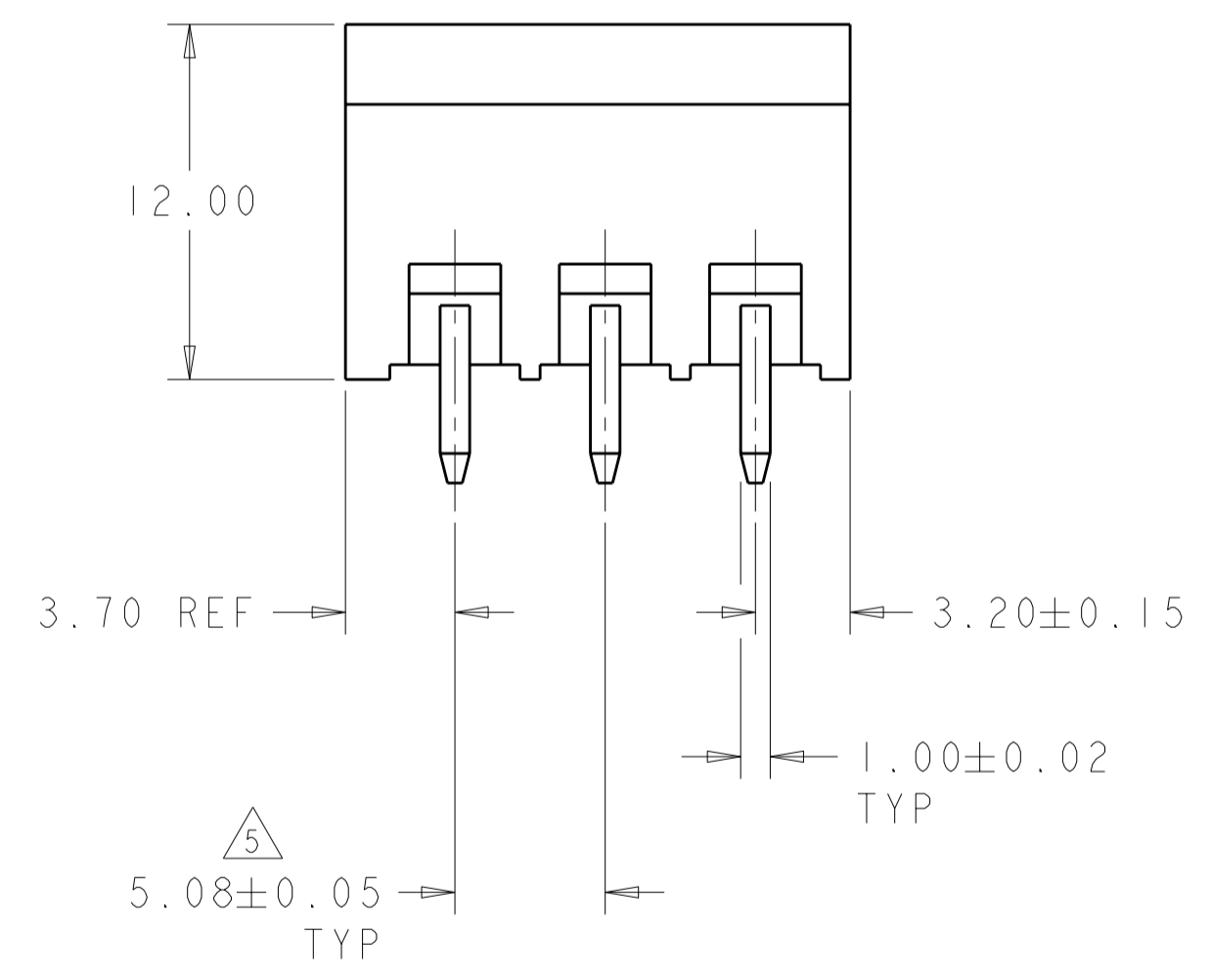
LOC		DIST		REVISIONS			
P	LTR	DESCRIPTION	DATE	DWN	APVD		
FT	0	BI	REVISÉ PER ECO-12-007711	26APR2012	KH	MS	



796637-3 AS SHOWN

CONTACT PLATING	DIM L	NO OF POSN	PART NUMBER	
PRELIMINARY	.762µm GOLD	52.62	10	3-796637-1
PRELIMINARY	.762µm GOLD	42.46	8	3-796637-0
PRELIMINARY	.762µm GOLD	37.38	7	2-796637-9
PRELIMINARY	.762µm GOLD	32.30	6	2-796637-8
PRELIMINARY	.762µm GOLD	22.14	4	2-796637-7
	.762µm GOLD	47.54	9	2-796637-6
	TIN	128.82	25	2-796637-5
	TIN	123.74	24	2-796637-4
	TIN	118.66	23	2-796637-3
	TIN	113.58	22	2-796637-2
	TIN	108.50	21	2-796637-1
	TIN	103.42	20	2-796637-0
	TIN	98.34	19	1-796637-9
	TIN	93.26	18	1-796637-8
	TIN	88.18	17	1-796637-7
	TIN	83.10	16	1-796637-6
	TIN	78.02	15	1-796637-5
	TIN	72.94	14	1-796637-4
	TIN	67.86	13	1-796637-3
	TIN	62.78	12	1-796637-2
	TIN	57.70	11	1-796637-1
	TIN	52.62	10	1-796637-0
	TIN	47.54	9	796637-9
	TIN	42.46	8	796637-8
	TIN	37.38	7	796637-7
	TIN	32.30	6	796637-6
	TIN	27.22	5	796637-5
	TIN	22.14	4	796637-4
	TIN	17.06	3	796637-3
	TIN	11.98	2	796637-2

- 1. MATERIALS AND FINISH:
 HOUSING: PA 6-6, UL 94-V0, COLOR: BLACK.
 TERMINAL: COPPER ALLOY, FINISH: SEE TABLE.
 - 2. SUITABLE FOR 1,6-2, 4mm PC BOARD THICKNESS.
 - 3. RECOGNIZED UNDER THE COMPONENT PROGRAM OF UNDERWRITERS LABORATORIES INC. FILE N° E60677.
 - 4. IMQ CERTIFICATE WITH SURVEILLANCE IN CONFORMITY WITH IEC 998-1/998-2-1.
5. NOT CUMULATIVE TOLERANCE



RECOMMENDED PC BOARD LAYOUT

THIS DRAWING IS A CONTROLLED DOCUMENT.		DWN S. WELDON 19OCT2000	TE Connectivity NAME: TERMI-BLOK HEADER ASSEMBLY, 180 DEGREE, CLOSED ENDS, 5.08mm PITCH SIZE: A2 CAGE CODE: 00779 DRAWING NO: 796637 RESTRICTED TO: -		
DIMENSIONS: mm		CHK D. BIEVENOUR 19OCT2000			
TOLERANCES UNLESS OTHERWISE SPECIFIED:		APVD D. BIEVENOUR 19OCT2000			
0 PLC ± 1 PLC ±0.2 2 PLC ± 3 PLC ± 4 PLC ± ANGLES ± FINISH		PRODUCT SPEC: - APPLICATION SPEC: - WEIGHT: -			
MATERIAL		CUSTOMER DRAWING	SCALE: 4:1	SHEET 1 OF 1	REV: BI